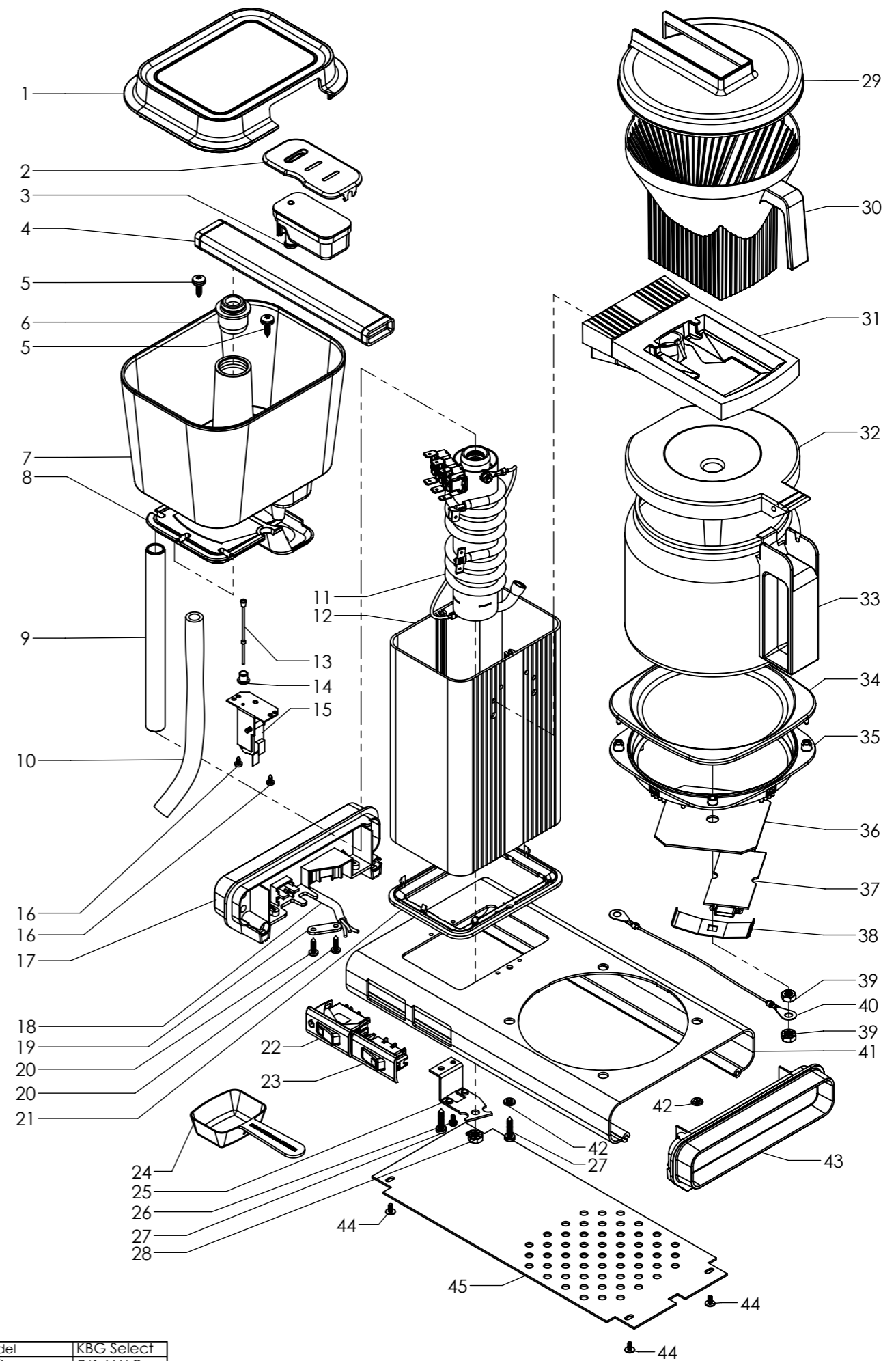


ITEM NO.	Description	Articlecode	QTY.
1	Reservoir lid 741	13012	1
2	Float hood	54131	1
3	Float	12235	1
4	Outlet pipe, stainless steel	53053	1
5	Screw 4,2x16 + sealing washer	70033	2
6	Rubber adapter	60015	1
7	Water reservoir	11010	1
8	Barrier 741	12761	1
9	Glass tube, 168,5 mm	31110	1
10	Rubber tube, 185 mm	60095	1
11	Boiling element 1450W/230V (950+500W)	45152	1
12	Housing, 184 mm (available in different colours)	*****	1
13	Switch pawl	54155	1
14	Tightening socket	12220	1
15	Microswitch assembly	43341	1
16	Screw 2,9x6,5	73050	2
17	Handle left, with feet (61150)	11716	1
18	Supply cord (see table)	*****	1
19	Cord anchorage	78175	1
20	Screw, 3,5x13	70055	2
21	Sealingring	11405	1
22	Switch, auto-shut off	43125	1
23	Switch, selection	2017-09-1	1
24	Measuring spoon	88104	1
25	Element bracket	51450	1
26	Screw, M3x6 + washer	73031	1
27	Screw, 4,2x19 + washer	70081	2
28	Toothed washer, M6	74025	2
29	Lid brew basket	13105	1
30	Brew basket GCS	13252	1
31	Filter bracket GCS for KBG(C) model	12607	1
32	Lid glass carafe GCS	13360	1
33	Glass carafe GCS with lid in box	89830	1
34	Hotplate	52064	1
35	Hotplate support	11415	1
36	Aluminum disk	55410	1
37	PTC element for type 741.74/AO	41240	1
38	Tightening spring hotplate element	56976	1
39	Nut, M6	72035	3
40	Earth wire, 140 mm with ring terminals	40501	1
41	Base 288 mm, 2 switches (available in different colours)	*****	1
42	Speednut	78250	2
43	Handle right, with feet (61150)	11715	1
44	Screw, M3x6	71060	4
45	Bottom Plate	11345	1

Plug	Cord	Art. No.
Type F (EU)	3 x 0,75 mm ²	44017
Type G (EU)	3x 0,75 mm ²	44015
Type J (CHE)	3x0,75 mm ²	44011



TECHNI VORM	model	KBG Select
	type	741.66/AO
	wiring diagram	741.66Y
	date	30-7-2019
	drawn by	SB
	format	A3
	page	1 of 1